

Micro Speaker

Model: OSR1609ED-3.0TB1.0W6A-R



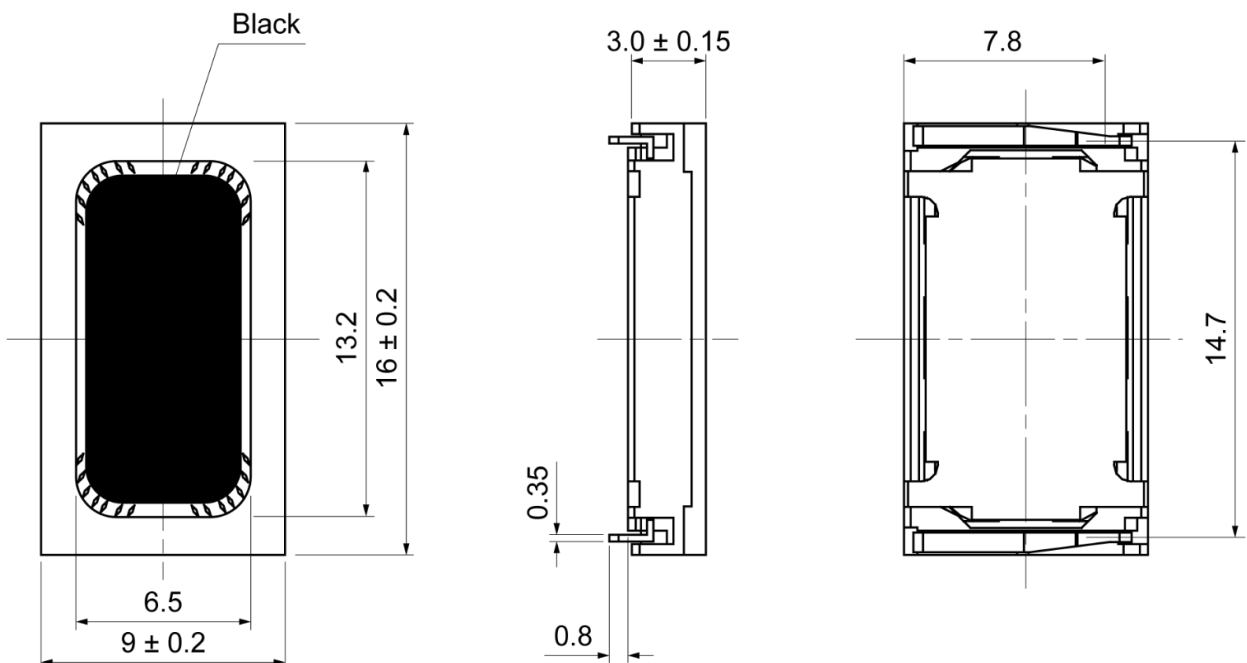
ELECTRICAL SPECIFICATIONS

	Condition	Parameter	Unit
Sound Pressure Level	at 0.94W, 10cm [at 2KHz] in 1cc box	91 ± 3	dB
Impedance	at 2.37V, 2000Hz	6 ± 20%	Ω
Rated Input Power		0.94	W
Max Input Power		1.2	W
Resonant Frequency (Fo)	at 2.37V, 10cm, in 1cc box	850 ± 20%	Hz
Frequency Range		500 ~ 10000	Hz
Buzzer & Rattles	not be audible at sine wave between 200 ~ 2.0KHz	2.37	V
Operating Temperature		-20 ~ 60	°C
Magnet		Nd-Fe-B	
Frame Material		PPA	
Cone Material		PEEK	
Weight		1.5	g

MECHANICAL DRAWING

Dimensions in mm

Tolerance ±0.2mm Except Specified



Micro Speaker

Model: OSR1609ED-3.0TB1.0W6A-R

FREQUENCY RESPONSE CURVE

Testing Condition: 2.37Vrms / 10cm / 1cc box

